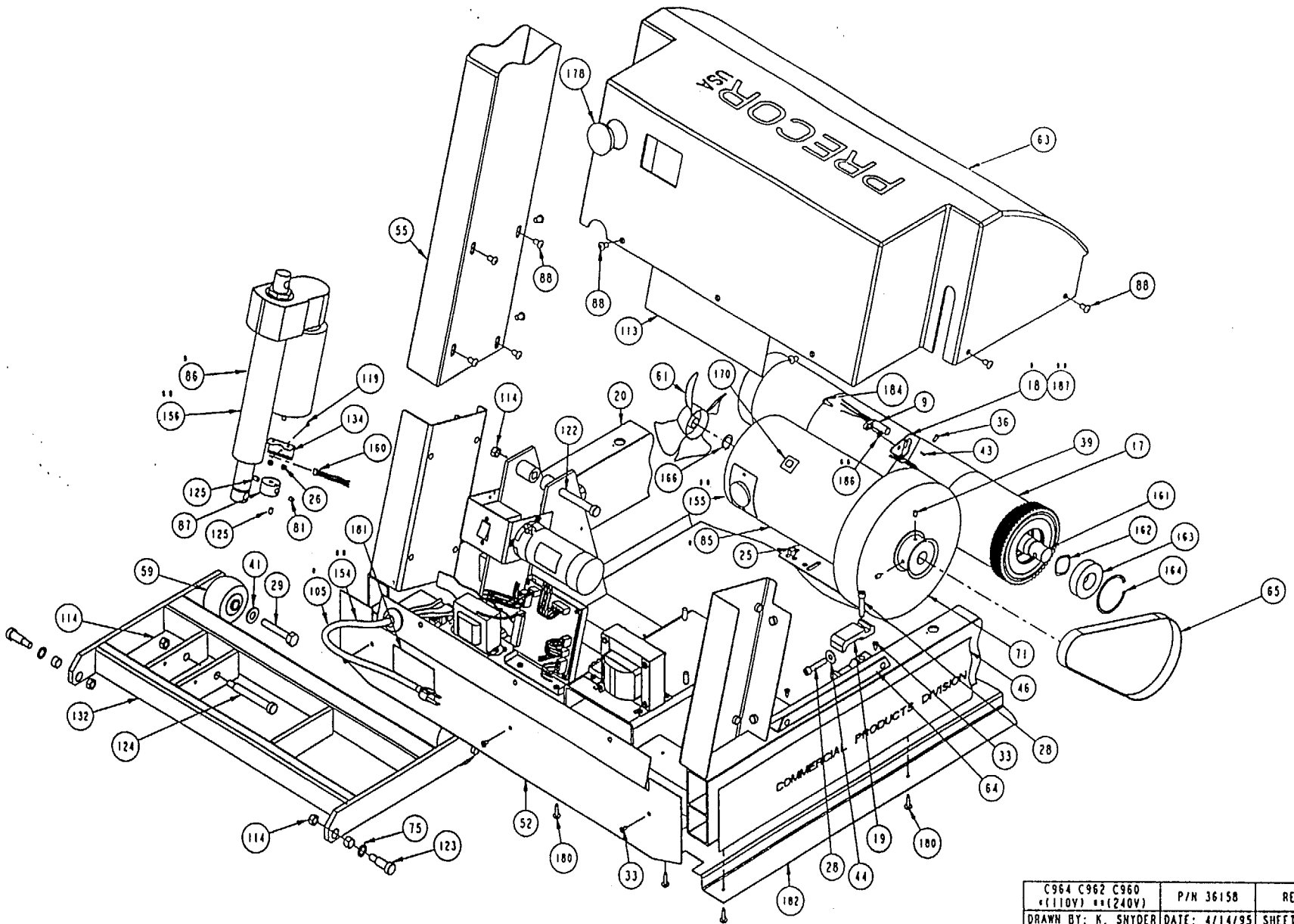
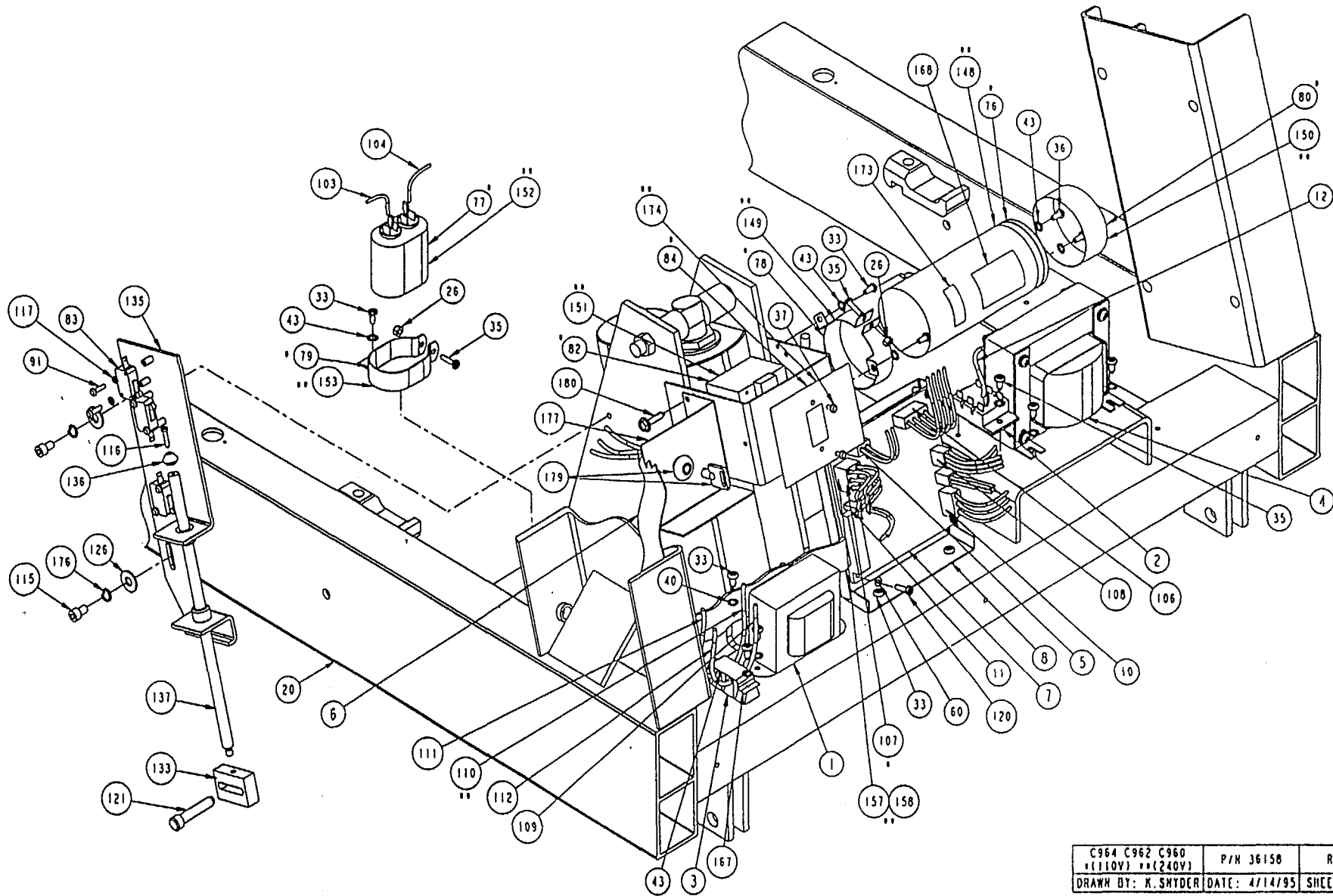


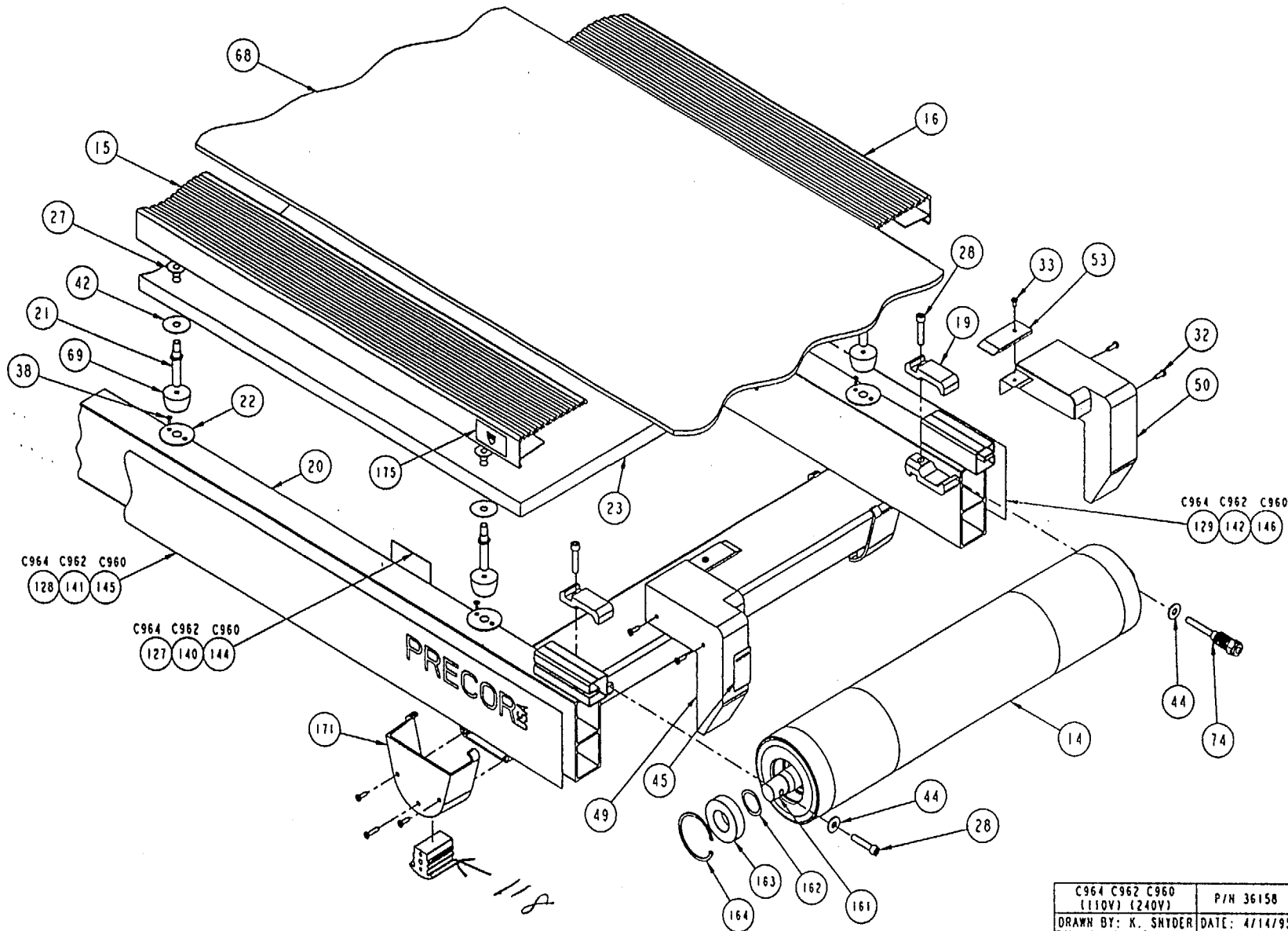
C964 C962 C960 (110V) (240V)	P/N 36158	REV: F
DRAWN BY: X. SNYDER	DATE: 4/14/95	SHEET 1 OF 5



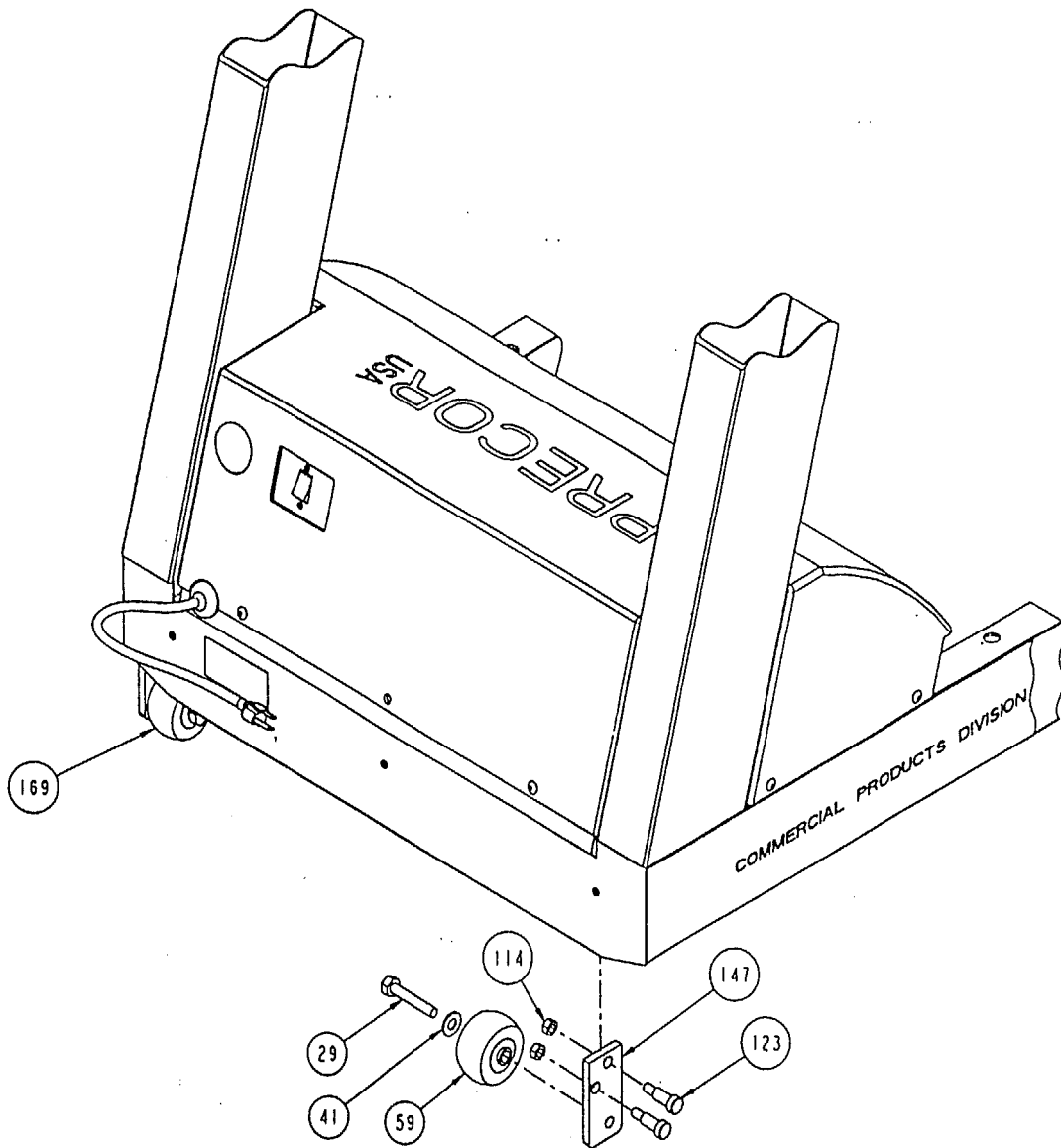
C964 C962 C960 *(110V) **(240V)	P/N 36158	REV: F
DRAWN BY: K. SNYDER	DATE: 4/14/95	SHEET 2 OF 5



C964 C962 C960 *(110V) ***(240V)	P/N 36158	REV: F
DRAWN BY: K. SHYDER	DATE: 4/14/95	SHEET 3 OF 5



C964 C962 C960 (110V) (240V)	P/N 36158	REV: F
DRAWN BY: K. SHYDER	DATE: 4/14/95	SHEET 4 OF 5



C960	P/N 36158	REV: F
(110V) (240V)	DATE: 4/14/95	SHEET 5 OF 5
DRAWN BY: K SNYDER		